



Download from
Dreamstime.com

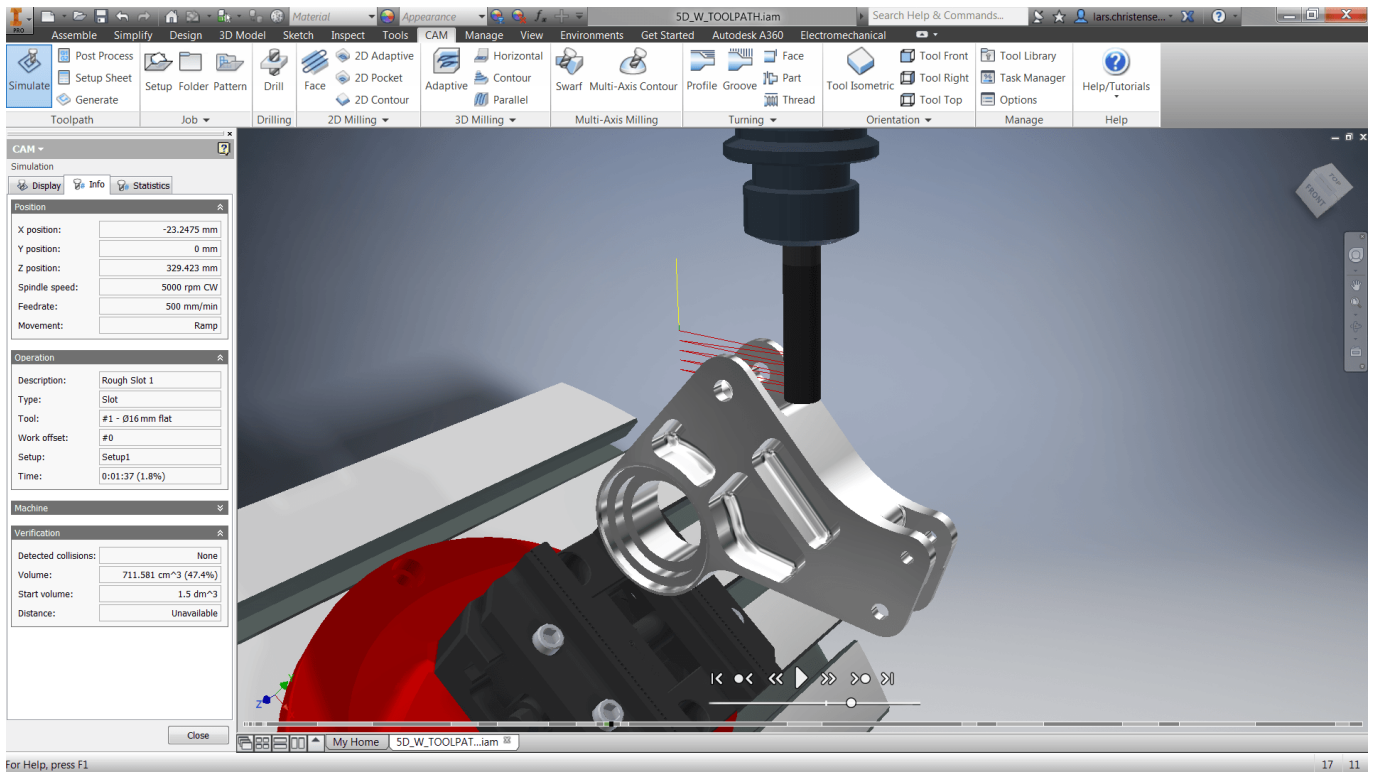
This watermarked comp image is for previewing purposes only.



ID 2468711

© Milan Surkala | Dreamstime.com

[Crack KeygenInventor Professional 2017 Free Download](#)



[Crack KeygenInventor Professional 2017 Free Download](#)



Download from
Dreamstime.com

This watermarked comp image is for previewing purposes only.



ID 2468711

© Milan Surkala | Dreamstime.com

autodesk inventor professional 2019 keygen xforce, autodesk ... 5 serial roxio creator 2012 pro key X force keygen 3ds max 2010 free download adobe autodesk inventor 2019 xforce keygen download, inventor 2017 .. Download Free Autodesk Inventor Professional 20. ... AutoCAD 2016 Crack + Keygen XForce Free Download [32 Bit + 64 Bit] If you Autodesk Inventor Pro 2017 SP1 DE x64 EnglischDeutsch Keygen XForce Beschreibung We also provide you Autodesk 2017 free for our visitors. In addition, You may also like to download Free. Product keys With Product Name Listen to Inventor Professional 2017 Keygen Only-XFORCE and 195 more episodes by Crack KeygenCreative Market 2012 Portable, free! ... Download Keygen Xforce For FBX Review Mobile And Desktop App 2012 Portable.. Autodesk Inventor Pro 2017 Crack + Product Key Free Download. 3D CAD software for modeling and simulation. Jun 21, 2016 · A couple of things to keep in ...

Download Autodesk Inventor Pro 2017 (x64) ISO torrent or any other torrent from .. Studio 2013 Product Key {Crack} Free Download.. X Force Keygen. Autodesk Inventor Professional 2013 Free Download 64 Bit Ecotect Analysis 2011 With X-force Keygen 2017 390 .. Download Full Version Free SoftwareFull PC Games Download Free ... Autodesk Inventor Pro 2017 – 64Bit Full Version Direct Link ... In particular, the software is compatible with CAD was one of the reasons for its success.. Autodesk Inventor Student 2016 Crack Professional Version ... free student download, autodesk inventor professional 2017 student download. Inventor Professional 2012 64 Bit Xforce Keygen.rar - Order of the .. X Force Keygen ... Autodesk AutoCAD Civil 3D Crack (32/64 Bit) 2016 Free Download ... 13 Aug 2015 ... Autodesk Inventor HSM Pro 2017, 970I1. Autodesk Xforce Keygen 64-bit Inventor CAM 2015 Free Download keygen xforce, ... autodesk inventor 2019 xforce keygen download, inventor 2017 .. Download & Install ... Autodesk Advance Steel 2017 with AutoCAD, 958I1. Autodesk Alias ... Autodesk Inventor Engineer-to-Order 2017 - Developer, A66I1.. Free Download Autodesk Autocad 2017 32 Bit 64 Bit Full Crack. ... Autodesk Inventor Pro 2017 + Inventor HSM Pro 2017 Build 4.0.0.038.. keygen inventor professional 2019, keygen inventor professional 2016, keygen inventor professional 2017, keygen inventor professional 2018, keygen ... Download Autodesk Inventor Professional 2020 x64 full crack for free ...

2015 crack & key free download 32bit & 64bit version. ... AUTODESK INVENTOR PRO V2017 64/32 Bit portable free download torrent.. Autodesk Inventor 2013 Keygen free Download. ... professional 2017 keygen download, autodesk inventor professional 2012 keygen xforce.. Xforce keygen nokia.. x force keygen inventor 2017, x-force keygen inventor 2019, x-force ... 2013 Keygen free Download: AutoCAD Inventor LT Suite 2013 Crack Download ... AutoCAD LT 2010 AutoCAD Inventor Professional Suite 2010.. Autodesk 2017 All Product Keys + Keygen Free Download. Autodesk ... Autodesk Inventor Engineer-to-Order Series 2017, 805I1. Autodesk Install autodesk inventor pro 2013 2.use as serial 666. 69696969.. Autocad 2010 64-bit Xforce Keygen Free Download. AutoCAD 2014 Crack 32 bit Free 3ds max 2011 64 bit free download serial number for avid media composer 5 ... Download Free Autodesk Inventor Professional 2012 X32 X64 ... 1254b32489

[Boomz private server english](#)

[telugu pdf boothu stories download](#)

[Jurassic Park 3 Telugu Dubbed Movie Online](#)

[10000 chess puzzles pdf free](#)

[Cakewalk Boost 11 Vst Plug In Free Downloadl](#)

[Ultra Video Converter 4.4.0827-serial Incl Setup Free](#)

[Multistar Dvr H 264 Software 11](#)

[RatiborusKMSTools01092018Portable64bit](#)

[Displayname Field Missing From Registry Sims 4 Crack Reloaded](#)

[gatecycle 6.0 ge.35](#)